

Bridge Unit Type 2045 (B538)

(RoHS Compliant Materials)

Bridge Unit Type 2045 (B538)

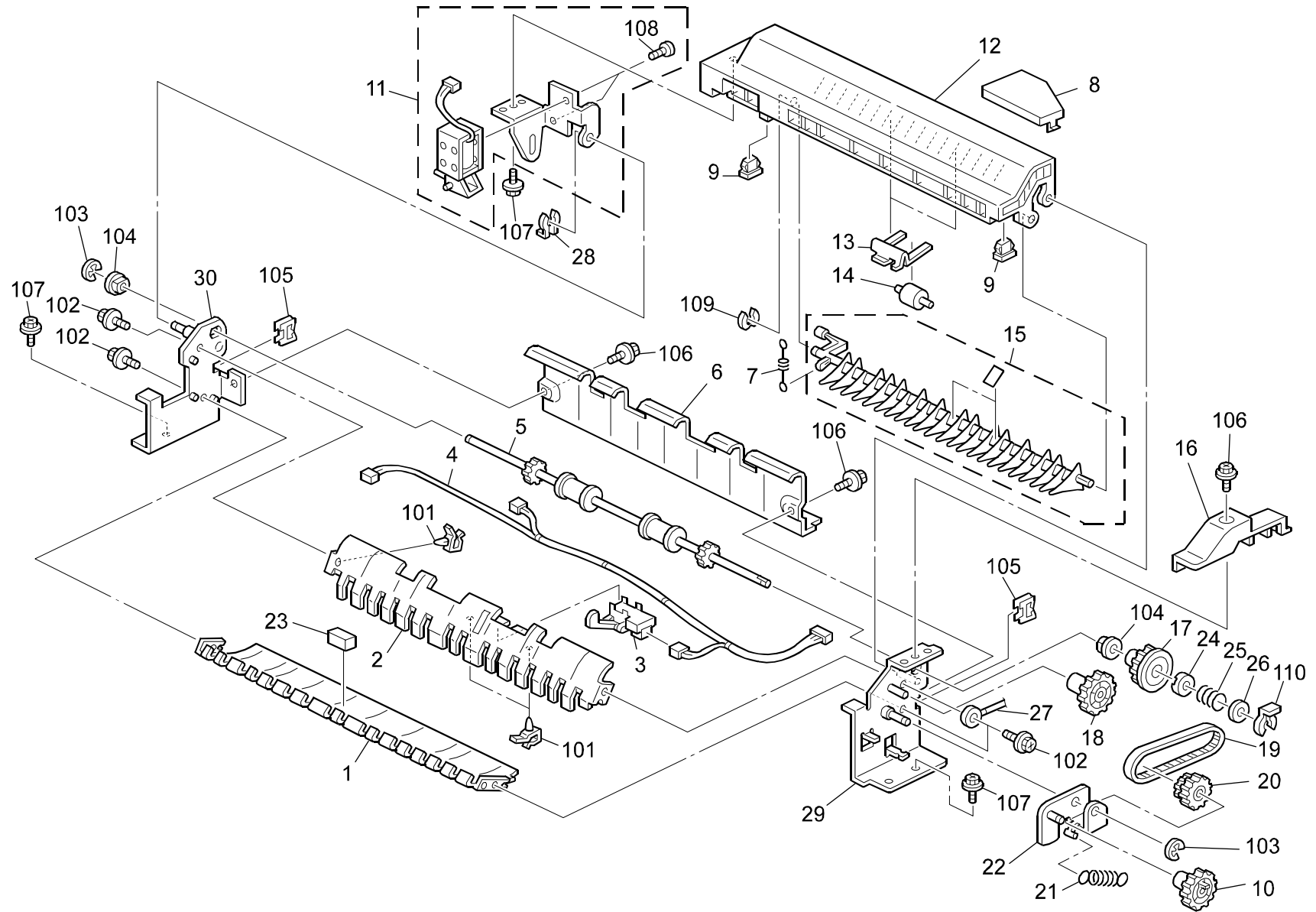
PARTS CATALOG

This catalog gives the numbers and names of parts on this machine.

1.BRIDGE UNIT 1 (B538)	2
2.BRIDGE UNIT 2 (B538)	4
PARTS INDEX	7

July ,10 ' 2005

1.BRIDGE UNIT 1 (B538)

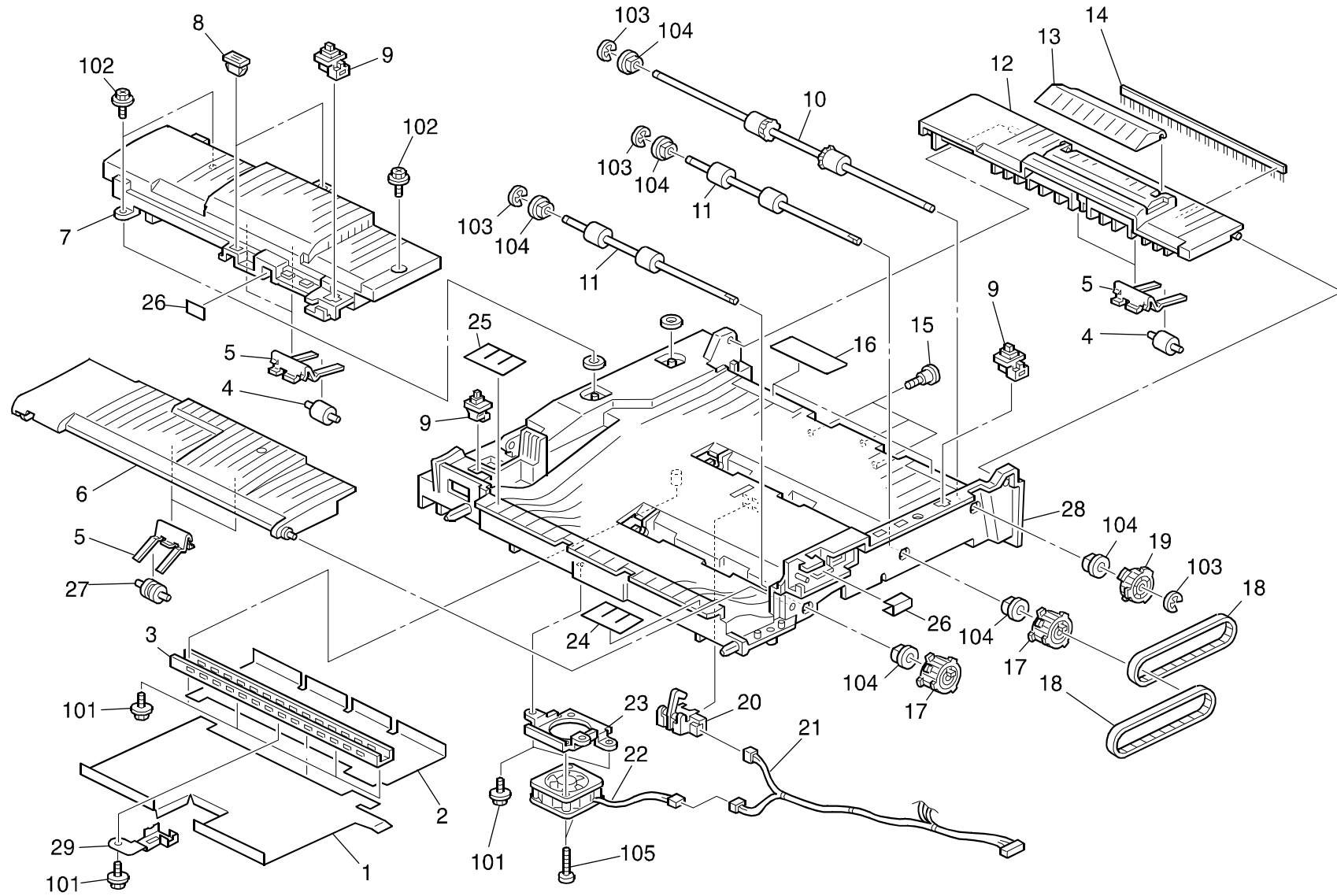


1.BRIDGE UNIT 1 (B538)

Index No.	Part No.	Description	Q'ty Per Assembly
1	B538 4478	Guide Plate:Lower	1
2	B538 4453	Guide Plate:Upper:Ass'y	1
3	AW02 0179	Paper Feed Sensor	1
4	B538 5436	Harness:Joint Unit:Exit	1
5	AF02 0657	Exit Roller:Joint Unit:Upper	1
6	B538 4456	Cover:Exit:Left	1
7	AA06 6579	Tension Spring	1
8	B538 1350	Cover:Connector	1
9	AA02 1031	Magnetic Catch	2
10	AB01 4054	Gear - 20Z	1
11	B538 4485	DC Solenoid:Ass'y	1
12	B538 4481	Cover:Exit:Upper	1
13	A688 4482	Roller Holder	2
14	AF04 0558	Driven Roller	2
15	A688 4490	Junction Gate Ass'y	1
16	B538 1300	Cover:Exit:Rear	1
17	AB01 4174	Exit Gear - 21z	1
18	AB01 4055	Gear - 24Z	1
19	AA04 3448	Timing Belt - S2M 216	1
20	AB01 7459	Gear/pulley - 16Z/26T	1
21	AA06 6578	Tension Spring	1
22	B538 4473	Bracket:Input:Ass'y	1
23	AA16 1082	Cushion - Mirror	1
24	A688 4473	Disc - Torque Limiter	1
25	AA06 3410	Compression Spring:Torque Limiter	1
26	A688 4474	Spacer - T2	1
27	B538 5510	Harness:Ground Wire:Joint Unit	1
28	5447 2681	Snap Ring	1
29	B538 4468	Side Plate:Rear:Ass'y	1
30	B538 4463	Side Plate:Front:Ass'y	1

Index No.	Part No.	Description	Q'ty Per Assembly
101	1105 0283	Clamp	
102	0451 3006N	Tapping Screw - 3x6	
103	0720 0040E	Retaining Ring - M4	
104	0805 3480	Bushing - 6mm	
105	1105 0328	Harness Clamp - ES-0505	
106	0451 3006N	Tapping Screw - 3x6	
107	0450 3008N	Tapping Screw - M3x8	
108	0951 3004B	Philips Pan Head Screw - M3x4	
109	0805 0089	Retaining Ring - M4	
110	0805 0097	Ring Separator	

2.BRIDGE UNIT 2 (B538)



2.BRIDGE UNIT 2 (B538)

Index No.	Part No.	Description	Q'ty Per Assembly
1	B538 3918	Sheet:Connecting:Right	1
2	B538 3919	Sheet:Connecting:Left	1
3	B538 3913	Supporting Plate:Base	1
4	AF04 0558	Driven Roller	4
5	A688 3960	Roller Holder	6
6	B538 3964	Cover:Joint Unit:Right	1
7	B538 3980	Cover:Joint Unit:Middle	1
8	AA02 1030	Magnet Catch	2
9	AW50 0022	Push Switch	1
10	AF02 0656	Exit Roller:Joint Unit:Lower	3
11	AF02 0655	Transport Roller:Joint Unit	2
12	B538 3988	Cover:Joint Unit:Left:Ass'y	1
13	B538 3995	Tray:Auxiliary	1
14	AA12 0089	Antistatic Brush	1
15	AA14 3219	Stepped Screw	3
16	A688 3915	Guide Sheet	1
17	AB03 0569	Pulley - 30T	2
18	AA04 3449	Timing Belt - S2M 316	2
19	AB03 0570	Pulley - 30T	1
20	AW02 0179	Paper Feed Sensor	1
21	B538 5429	Harness:Joint Unit:Connecting	1
22	AX64 0091	Fan:Axial:60	1
23	B538 3912	Bracket:Fan	1
24	A688 3916	Rear Mylar Guide	1
25	A688 3917	Front Mylar Guide	1
26	G012 3897	Film - Toner End Sensor Harnes	2
27	AF04 0562	Driven Roller	2
28	B538 3910	Bridge Unit Base	1
29	A688 3914	Spring Plate:Sensor:Connecting	1

Index No.	Part No.	Description	Q'ty Per Assembly
101	0450 3008N	Tapping Screw - M3x8	
102	0450 3008Z	Tapping Screw - M3x8	
103	0720 0040E	Retaining Ring - M4	
104	0805 3480	Bushing - 6mm	
105	0313 0220N	Pan Head Screw - M3x22	
106	0451 3006N	Tapping Screw - 3x6	

Parts Index

Parts Index

Part No.	Description	Page and Index No.
B538 1300	Cover:Exit:Rear	3 - 16
B538 1350	Cover:Connector	3 - 8
B538 3910	Bridge Unit Base	5 - 28
B538 3912	Bracket:Fan	5 - 23
B538 3913	Supporting Plate:Base	5 - 3
B538 3918	Sheet:Connecting:Right	5 - 1
B538 3919	Sheet:Connecting:Left	5 - 2
B538 3964	Cover:Joint Unit:Right	5 - 6
B538 3980	Cover:Joint Unit:Middle	5 - 7
B538 3988	Cover:Joint Unit:Left:Ass'y	5 - 12
B538 3995	Tray:Auxiliary	5 - 13
B538 4453	Guide Plate:Upper:Ass'y	3 - 2
B538 4456	Cover:Exit:Left	3 - 6
B538 4463	Side Plate:Front:Ass'y	3 - 30
B538 4468	Side Plate:Rear:Ass'y	3 - 29
B538 4473	Bracket:Input:Ass'y	3 - 22
B538 4478	Guide Plate:Lower	3 - 1
B538 4481	Cover:Exit:Upper	3 - 12
B538 4485	DC Solenoid:Ass'y	3 - 11
B538 5429	Harness:Joint Unit:Connecting	5 - 21
B538 5436	Harness:Joint Unit:Exit	3 - 4
B538 5510	Harness:Ground Wire:Joint Unit	3 - 27

Part No.	Description	Page and Index No.
A688 3914	Spring Plate:Sensor:Connecting	5 - 29
A688 3915	Guide Sheet	5 - 16
A688 3916	Rear Mylar Guide	5 - 24
A688 3917	Front Mylar Guide	5 - 25
A688 3960	Roller Holder	5 - 5
A688 4473	Disc - Torque Limiter	3 - 24
A688 4474	Spacer - T2	3 - 26
A688 4482	Roller Holder	3 - 13
A688 4490	Junction Gate Ass'y	3 - 15
G012 3897	Film - Toner End Sensor Harnes	5 - 26

Part No.	Description	Page and Index No.
AA02 1030	Magnet Catch	5 - 8
AA02 1031	Magnetic Catch	3 - 9
AA04 3448	Timing Belt - S2M 216	3 - 19
AA04 3449	Timing Belt - S2M 316	5 - 18
AA06 3410	Compression Spring:Torque Limiter	3 - 25
AA06 6578	Tension Spring	3 - 21
AA06 6579	Tension Spring	3 - 7
AA12 0089	Antistatic Brush	5 - 14
AA14 3219	Stepped Screw	5 - 15
AA16 1082	Cushion - Mirror	3 - 23
AB01 4054	Gear - 20Z	3 - 10
AB01 4055	Gear - 24Z	3 - 18
AB01 4174	Exit Gear - 21z	3 - 17
AB01 7459	Gear/pulley - 16Z/26T	3 - 20
AB03 0569	Pulley - 30T	5 - 17
AB03 0570	Pulley - 30T	5 - 19
AF02 0655	Transport Roller:Joint Unit	5 - 11
AF02 0656	Exit Roller:Joint Unit:Lower	5 - 10
AF02 0657	Exit Roller:Joint Unit:Upper	3 - 5
AF04 0558	Driven Roller	3 - 14
AF04 0558	Driven Roller	5 - 4
AF04 0562	Driven Roller	5 - 27
AW02 0179	Paper Feed Sensor	5 - 20
AW02 0179	Paper Feed Sensor	3 - 3
AW50 0022	Push Switch	5 - 9
AX64 0091	Fan:Axial:60	5 - 22

Part No.	Description	Page and Index No.
0313 0220N	Pan Head Screw - M3x22	5 -105
0450 3008N	Tapping Screw - M3x8	3 -107
0450 3008N	Tapping Screw - M3x8	5 -101
0450 3008Z	Tapping Screw - M3x8	5 -102
0451 3006N	Tapping Screw - 3x6	3 -102
0451 3006N	Tapping Screw - 3x6	3 -106
0451 3006N	Tapping Screw - 3x6	5 -106
0720 0040E	Retaining Ring - M4	3 -103
0720 0040E	Retaining Ring - M4	5 -103
0805 0089	Retaining Ring - M4	3 -109
0805 0097	Ring Separator	3 -110
0805 3480	Bushing - 6mm	5 -104
0805 3480	Bushing - 6mm	3 -104
0951 3004B	Philips Pan Head Screw - M3x4	3 -108
1105 0283	Clamp	3 -101
1105 0328	Harness Clamp - ES-0505	3 -105

Part No.	Description	Page and Index No.
5447 2681	Snap Ring	3 - 28

Part No.	Description	Page and Index No.